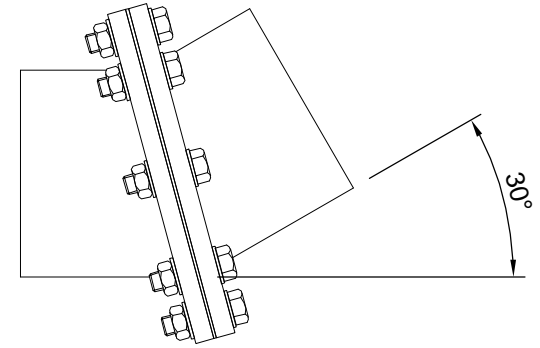


PRESSURE RATING

Applications exceeding **12 bar** (1200 kPa / 175 psi), consult ME.
Unwedger is not certified for compressible or hazardous fluids.

Unlike Gibault and similar telescoping couplings, *Unwedger* has a step-less bore, avoiding turbulence that would compromise a flow meter

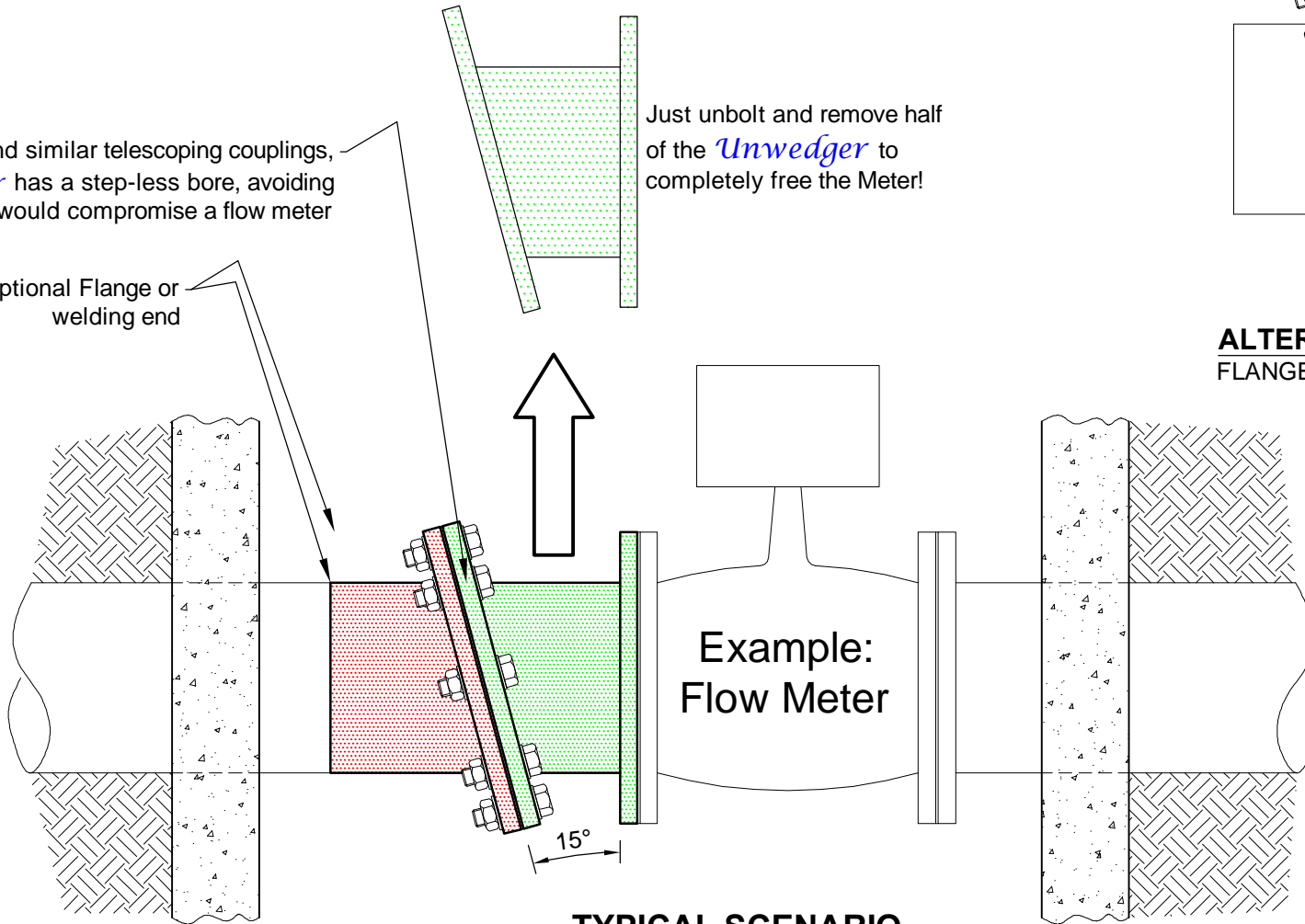
Just unbolt and remove half of the *Unwedger* to completely free the Meter!



ALTERNATIVE APPLICATION
 FLANGED MITERED BEND

Optional Flange or welding end

Buried Pipe held rigid by thrust blocks etc



Buried Pipe held rigid by thrust blocks etc

Example:
 Flow Meter

TYPICAL SCENARIO

How do you Extract and replace this delicate Flow Meter, rigidly held by a buried pipeline? Even if you can force it out, squeezing it and its gaskets back in is almost Mission Impossible!

Unwedger is a two-piece unit, complete with gasket. Available with one or both ends chamfered for welded continuation; or with AS.2129 Pipe flanges, table E (These are compatible with table D) Currently available from 100NB to 250NB; For larger sizes or special applications, call for a quote.

Caution: Due to ongoing development, some features on this promotional illustration may not exactly match the product being sold. !

Marsden Engineering Presents The *Marsdezyn*
Unwedger
 Pipe Wedge-Spool To Extract Devices From Rigid Pipework



1 McKechnie st (off Majors road) Geraldine 7930
 PO Box 96 Phone: 03 693 9634 After hours: 027 242 2110
 www.marsdenengineering.co.nz email: marsdeneng@gmail.com

INITIALS & REV DATE IM -2015-11-24	A4 3rd L Projection	DRAWING NUMBER PJ-PROMO-01	SHEET 1 of 1	REVISION A
---------------------------------------	---------------------------	-------------------------------	-----------------	---------------